

1080P Zoom Lens IR PTZ Camera

IPC742SR9-PZ30-32G



Key Features

PTZ

- Precision motor with accuracy deviation less than 0.1 degree.
- Pan range 250°, tilt range -50° ~ 50°
- Pan speed up to 15°/s, tilt speed up to 5°/s

Optics

- Smart IR, up to 100m (328ft) IR distance
- 2X Optical Zoom & Auto Focus
- IR anti-reflection window to increase the infrared transmittance
- Day/night functionality

Compression

- Ultra 265, H.265, H.264, MJPEG
- Embedded smart algorithm
- Triple streams
- Customized OSD

Network

- ONVIF Conformance

Structure

- Support PoE power supply
- Wide temperature range: -35°C ~ 60°C (-31°F ~ 140°F)
- Wide voltage range of ±25%
- IP66

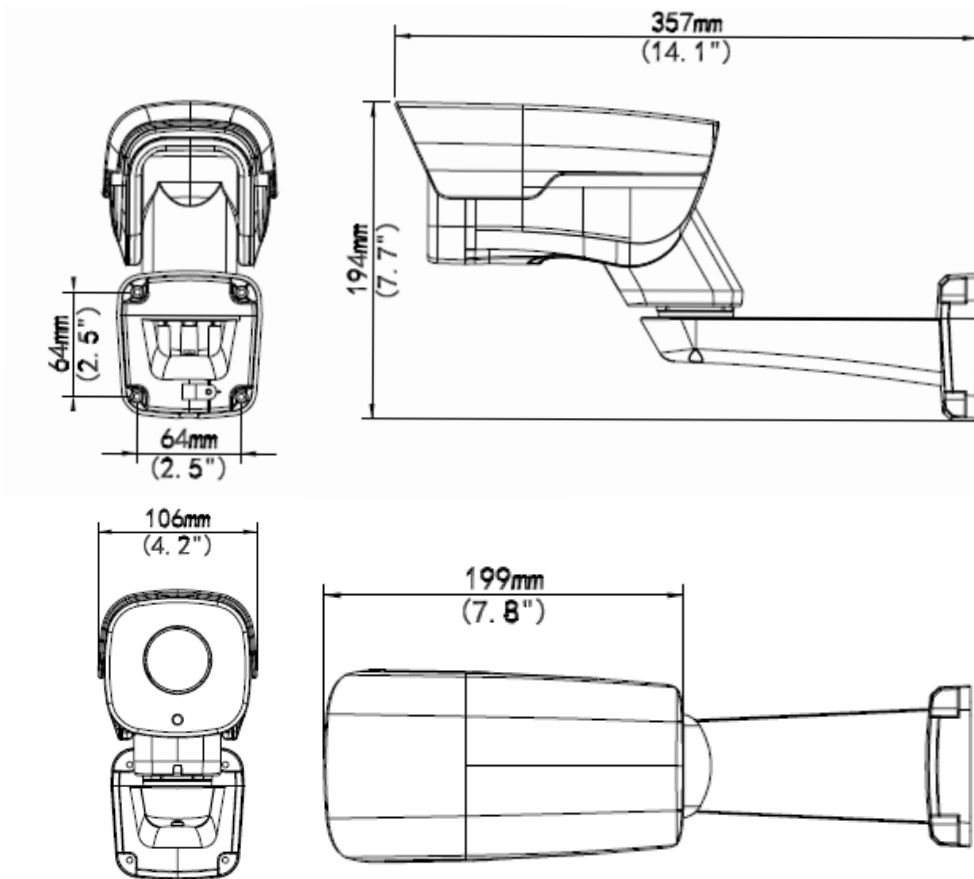
Specifications

IPC742SR9-PZ30-32G																
Camera																
Sensor	1/2.8", 2.0 megapixel, progressive scan, CMOS															
Lens	3 ~ 6mm, AF automatic focusing and motorized zoom lens															
Digital Zoom	16															
Optical Zoom	2															
DORI Distance	<table border="1"> <thead> <tr> <th>Lens (mm)</th> <th>Detect (m)</th> <th>Observe (m)</th> <th>Recognize (m)</th> <th>Identify (m)</th> </tr> </thead> <tbody> <tr> <td>3</td> <td>67.5</td> <td>27</td> <td>13.5</td> <td>6.8</td> </tr> <tr> <td>6</td> <td>135</td> <td>54</td> <td>27</td> <td>13.5</td> </tr> </tbody> </table>	Lens (mm)	Detect (m)	Observe (m)	Recognize (m)	Identify (m)	3	67.5	27	13.5	6.8	6	135	54	27	13.5
	Lens (mm)	Detect (m)	Observe (m)	Recognize (m)	Identify (m)											
	3	67.5	27	13.5	6.8											
6	135	54	27	13.5												
Angle of view (H)	90.9° ~ 51.5°															
Angle of View (V)	39.6° ~ 20.4°															
Angle of View (O)	101.8° ~ 63.3°															
Shutter	Auto/Manual, 1 ~ 1/100000s															
Minimum Illumination	Color: 0.02Lux (F2.0, AGC ON) 0Lux with IR on															
Iris	Auto/Manual, F2.0															
Day/Night	IR-cut filter with auto switch (ICR)															
Digital noise reduction	2D/3D DNR															
S/N	>52dB															
IR Range	Up to 100m (328ft) IR range															
Defog	Digital Defog															
WDR	DWDR															
Video																
Video Compression	Ultra 265, H.265, H.264, MJPEG															
H.264 code profile	Baseline profile, Main Profile, High Profile															
Frame Rate	Main Stream: 2MP (1920*1080), Max 30fps; Sub Stream: 2MP (1920*1080), Max 30fps; Third Stream: D1 (720*576), Max 30fps															
HLC	Supported															
BLC	Supported															
OSD	Up to 8 OSDs															
Privacy Mask	Up to 8 areas															
ROI	Up to 8 areas															

Motion Detection	Up to 4 areas
Smart	
Behavior Detection	Intrusion, cross line, motion detection
Intrusion	Enter and loiter in a pre-defined virtual region
cross line	Cross a pre-defined virtual line
motion detection	Moving within a pre-defined virtual region
Recognition:	Face detection, Audio detection
Intelligent Identification	Defocus, Scene Change, Object Left, Object Moving
Statistical Analysis	People counting
General Function	Watermark, IP Address Filtering, Tampering Alarm, Alarm input, Alarm output, Access Policy, ARP Protection, RTSP Authentication, User Authentication
Audio	
Audio Compression	G.711
Two-way Audio	Supported
Suppression	Supported
Sampling Rate	8KHZ
Storage	
Edge Storage	Built-in 32GB eMMC
Network Storage	ANR
Network	
Protocol	IPv4, IGMP, ICMP, ARP, TCP, UDP, DHCP, PPPoE, RTP, RTSP, RTCP, DNS, DDNS, NTP, FTP, UPnP, HTTP, HTTPS, SMTP, 802.1x, SNMP, QoS
Compatibility	ONVIF (Profile S, Profile T), API
Structure	
Pan Range	250°
Pan Speed	0.1°/s ~ 15°/s
	Preset speed: 15°/s
Tilt Range	-50° ~ 50°
Tilt Speed	0.1°/s ~ 5°/s
	Preset speed: 5°/s
Number of Presets	400
Patrol	Up to 16 patrols, up to 32 presets per patrol Note: The total number of patrols and patterns is 16.
Interface	
Audio I/O	3.5mm connector
	Input: impedance 35kΩ; amplitude 2V [p-p]
	Output: impedance 600Ω; amplitude 2V [p-p]
Alarm I/O	2/1
Network	1 RJ45 10M/100M adaptive Ethernet
General	
Power	DC 12V±25%, PoE (IEEE 802.3at)

	Power consumption: Max 17.23W
Dimensions	357 × 106 × 194mm (14.1" × 4.2" × 7.7")
Weight	1.16kg (2.6lb)
Working Environment	-35°C ~ 60°C (-31°F ~ 140°F), Humidity: ≤95% RH (non-condensing)
Ingress Protection	IP66

Dimensions



Zhejiang Uniview Technologies Co., Ltd.

Building No.10, Wanlun Science Park, Jiangling Road 88, Binjiang District, Hangzhou, Zhejiang, China (310051)

Email: overseasbusiness@uniview.com; globalsupport@uniview.com

<http://www.uniview.com>

©2019 Zhejiang Uniview Technologies Co., Ltd. All rights reserved.

*Product specifications and availability are subject to change without notice.